

Socket X1700 Deployment Guide

version 3.1.4
March 2024



Table of Contents

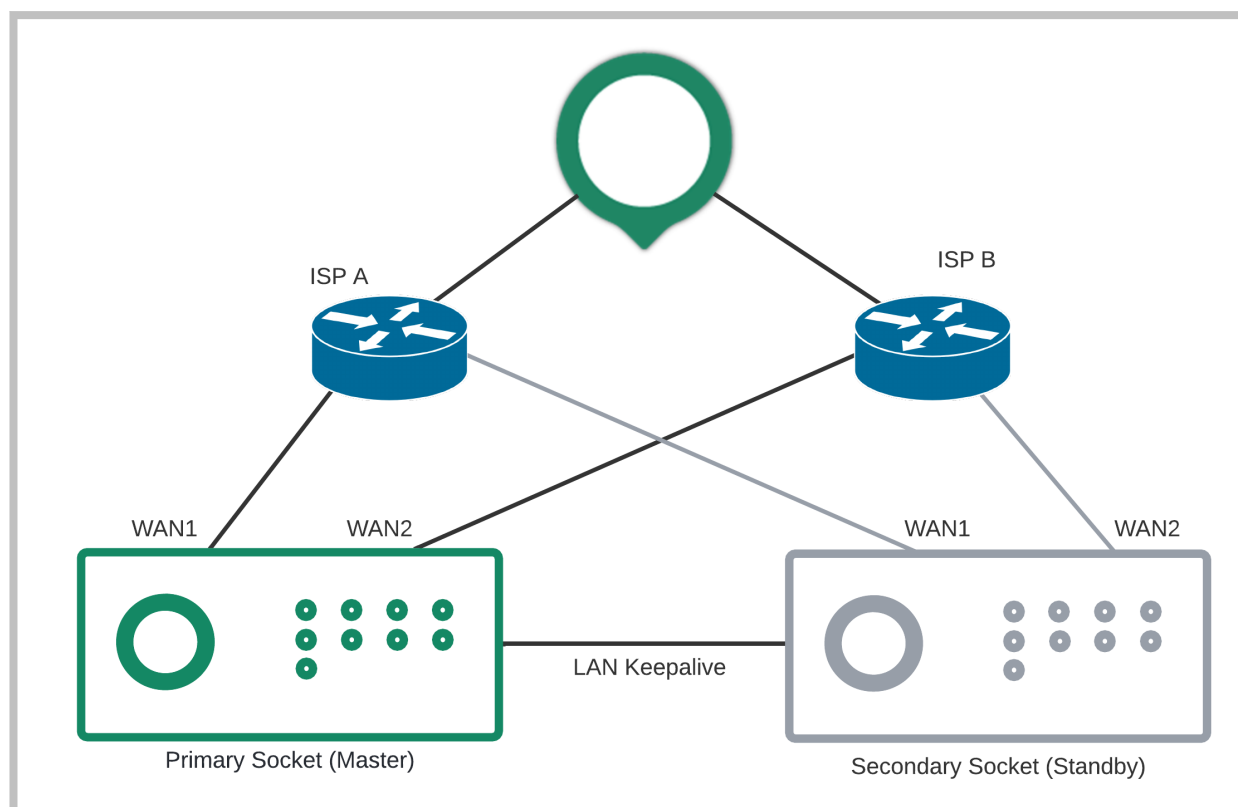
Welcome to Your New Cato Socket	3
Typical Site Topology	3
Prerequisites	3
Administrator Account Onboarding	4
Deploying the X1700 Socket	5
Connecting the X1700 Socket to the Cato Cloud	5
Creating a New Site in the Cato Management Application	6
Assigning the Socket to a Site	8
Configuring the LAN	8
Working with X1700 Socket Network Card Add-On	9
Installing the Network Card Add-On	9
Configuring the Add-on for the X1700 Socket	10
Working with Your X1700 Socket	11
Identifying the X1700 Socket Model	11
Overview of the X1700 Socket	11
Front Panel LEDs and Reset Buttons	12
Overview of the X1700B Socket	12
Front Panel LEDs and Reset Buttons (X1700B)	13
Connecting a Cellular Modem	13
Assigning a Static IP to the WAN (Optional)	15
Connecting the Socket through PPPoE (Optional)	15
X1700 Socket Electrical Specifications	15
Socket BTU/HR Details	15
Full Output Power	16
Input Current	16
Line Fuse	16
Additional Resources	17
Socket X1700 Rack-Mounting Kit Assembly Guide	18
Socket X1700B Rack-Mounting Kit Assembly Guide	19

Welcome to Your New Cato Socket

Typical Site Topology

A typical deployment scenario is where the Cato Socket replaces the site's existing firewall. There are many other topologies and scenarios that are also supported.

The following diagram shows a typical topology for a site with two Sockets in a high availability (HA) configuration connected to two different ISPs.



Prerequisites

The following items are required before you start deploying the Socket:

- Cato Socket - The Socket model that was shipped to you
- ISP connection - the Internet connection through which the Socket connects to the Cato Cloud
- WAN IP - a DHCP or statically-assigned IP address
- Native Range - the LAN range that is directed towards the Socket
- DHCP Range - The DHCP assigned range(s) that the Socket supports (optional)
- Gateway IP - The network's gateway's IP address
- Open the following ports and protocols:
 - UDP port 53
 - UDP port 443
 - TCP port 443

Administrator Account Onboarding

After Cato opens an account for your organization, your account administrator must onboard to the Cato Management Application. This administrative access is required to create, configure, and assign the Socket with the appropriate site.

The onboarding procedure starts when your account's administrator receives an invitation email from Cato Networks.

If you already have an account for the Cato Management Application, please skip to [Deploying the X1700 Socket \[5\]](#).

To set your account password:

1. Click the activation link to redirect to the password configuration window in your browser.
2. Set your password.
3. You will receive a second email and a link to the [Cato Management Application](#).

Deploying the X1700 Socket



When you receive a new Socket from Cato, it arrives with the network card add-on uninstalled. You must perform an initial boot of the Socket before you install the add-on to the Socket. Otherwise you can damage the Socket or add-on card.

This is a high-level overview of the process to deploy an X1700 Socket at the physical location of the site:

1. Power on the Socket and connect the WAN links to the Internet ([Connecting the X1700 Socket to the Cato Cloud \[5\]](#)).
2. Create the site in the Cato Management Application ([Creating a New Site in the Cato Management Application \[6\]](#)).
3. In the Cato Management Application, assign the X1700 Socket to the relevant site ([Assigning the Socket to a Site \[8\]](#)).
4. For X1700 Sockets that use add-on network cards, also perform these steps:
 - a. Make sure that the Socket is powered off and that the add-on cards are not installed.
 - b. Install the add-on cards to the Socket ([Installing the Network Card Add-On \[9\]](#)).
 - c. Power on the Socket.
 - d. In the Cato Management Application, edit the X1700 Socket site and configure the add-on card ([Configuring the Add-on for the X1700 Socket \[10\]](#)).
5. Edit the site and define the LAN segments ([Configuring the LAN \[8\]](#)).

Connecting the X1700 Socket to the Cato Cloud

Connect the LAN and WAN ports on the X1700 front panel to the internal network and to the ISP.

These instructions apply to all X1700 Socket models.



Deploying a Socket temporarily interrupts Internet connectivity for the site.

1. Unbox the Socket.
2. Connect the LAN cables:
 - If the Socket is replacing a firewall, disconnect the Ethernet cable from the firewall and connect the cable to the Socket's Port 3.
 - If the LAN is routed from a network device or existing firewall that is not being replaced, connect the Ethernet cable from the relevant port on that device to the Socket's port 3.
3. Connect the WAN cables:
 - If the Socket is connected directly to the ISP router, connect the Ethernet cable from the ISP device to the Socket's port 1 (or port 1 and port 2 if you have multiple ISP connections).



Important: If you have an add-on card, make sure that you do the following before connecting the card:

1. Ensure that you have connectivity to the Cato Cloud via Port 1 and only then, power off your Socket.
2. Connect the add-on card.
3. Power on your Socket.

4. After the LAN and WAN networks are connected, connect both power cables to the AC power sockets in the rear panel.

Creating a New Site in the Cato Management Application

Create a site in the Cato Management Application for the site where you are deploying your new Socket.

If you are using an add-on hardware card with additional network interfaces for the Socket, first you create this add-on is configured after the site is created. For more information, see [Configuring the Add-on for the X1700 Socket \[10\]](#).



Note: If the add-on was not pre-ordered and installed by Cato, you must restart the Socket after the add-on is installed.

To create a new X1700 Socket site:

1. Log in to the [Cato Management Application](#).
2. From the navigation menu, click **Network > Sites**.
3. Click **New**. The **Add Site** panel opens.

✕ Add Site

Site Name Sample X1700 site	Site Type Headquarters	
Connection Type Socket X1700		
Country United States	State New Jersey	Timezone New York
License * 200 (Mbps) - NAM		

WAN Interface Settings Enable WAN2

WAN1 Bandwidth: ?	Downstream (Mbps) * 300	Upstream (Mbps) * 100
WAN2 Bandwidth: ?	Downstream (Mbps) * 300	Upstream (Mbps) * 100

LAN Interface Settings

Native Range
192.0.2.0/24

4. Configure the **General** settings for the site:
 - a. Enter the **Site Name**.
 - b. Select the **Site Type**. This option determines which icon is used for the site in the **Topology** window.
 - c. In **Connection Type**, select **Socket X1700**.
 - d. Configure the **Country**, and **State**, for the physical location of the site.
 - e. **(Optional)** Customize the **Time Zone**. This setting is used to set the time frame for the Socket update Maintenance Window.
5. In the **WAN Interface Settings** section, configure the settings for the Sockets:

- a. If the site uses a link for the secondary ISP connection, select **Enable WAN2**.
IMPORTANT: If you are connecting a single ISP to WAN2, select this option to prevent connectivity loss when first connecting to Cato Cloud.
 - b. Enter the values (in Mbps) for the **WAN1 Bandwidth** and **WAN2 Bandwidth** for **Downstream** and **Upstream**.
Note: Your upstream and downstream bandwidth for the WAN1 and WAN2 links are set according to the ISP bandwidth and the license that was purchased from Cato.
 - c. If necessary, repeat the previous step for the **WAN2 Bandwidth**.
6. In the **LAN Interface Settings** section, configure the **LAN Native Range** for the site.
You can't use /31 or /32 CIDR blocks.

Assigning the Socket to a Site


Once a Socket is up and running, it automatically connects to an optimal PoP in the Cato Cloud and checks if a new version of the Socket firmware is available.



If the Socket detects that a new version of the firmware is available, it automatically performs an upgrade and the Cato Management Application shows the **New Socket Detected** notification.

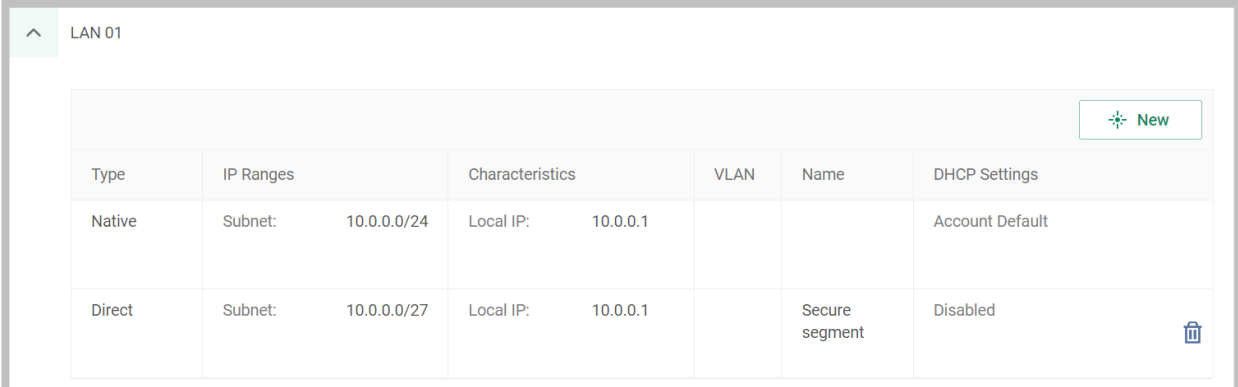
When the Socket has the latest firmware, the Cato Management Application Notification list displays the **Activate New Socket** notification and sends an email to the Activate New Socket mailing list. You can then activate and assign the Socket to the relevant site.

To activate the Socket and assign it to a site:

1. Click the notification icon .
2. In the list, locate the **Activate New Socket** notification and click **ACCEPT**.
3. In the **Assign Cato Socket to Site** window, in **Choose Site to assign Socket**, select the site for the new Socket and click **OK**.
4. The site is shown as connected in the **Monitoring > Topology** screen.

Configuring the LAN

After you create the site, configure the network settings for the LAN.



Type	IP Ranges	Characteristics	VLAN	Name	DHCP Settings
Native	Subnet: 10.0.0.0/24	Local IP: 10.0.0.1			Account Default
Direct	Subnet: 10.0.0.0/27	Local IP: 10.0.0.1		Secure segment	Disabled

To configure the LAN settings for the site:

1. From the navigation menu, click **Network > Sites** and select the new Socket site.

2. From the navigation menu, click **Site Configuration > Networks**.
3. Expand the LAN interface.
4. Review the **Local IP** and **DCHP Settings** and for the site.
For more about configure the settings for a site, see the [network range articles](#) in the Cato Networks Knowledge Base.

Working with X1700 Socket Network Card Add-On

This section explains how to install the network card add-on in the X1700 Socket, and then configure the site in the Cato Management Application for the card.

You can only install one network card add-on in the X1700 Socket at one time, multiple network cards are NOT supported.

Installing the Network Card Add-On

You can install the authorized network card add-on in the expansion slot for the X1700 Socket. The appliance must be shut down and powered off before you install the add-on, otherwise the Socket or add-on can be damaged.



When you receive a new Socket from Cato, it arrives with the network card add-on uninstalled. You must perform the following before you install the add-on to the Socket. Otherwise you can damage the Socket or add-on card.

- Perform an initial boot of the Socket
- Assign the Socket to a Site, as detailed in [Assigning the Socket to a Site \[8\]](#) above
- Upgrade your Socket to the latest available

After the Socket successfully boots, then perform the procedure below.

These are the supported add-ons:

- 4 x 1Gbps copper
- 2 x 1Gbps fiber
- 2 x 10Gbps fiber
- 4 x 10Gbps fiber

The fiber network add-ons support both SFP and SFP+.

To install the network card add-on to an X1700 Socket:

1. Shut down the X1700 Socket and remove the power cables.
2. Locate the cover plate for the expansion slot on the X1700 Socket.



Note: For X1700B Sockets, the expansion slot is immediately to the right of 8 x 1 Gbps ports.

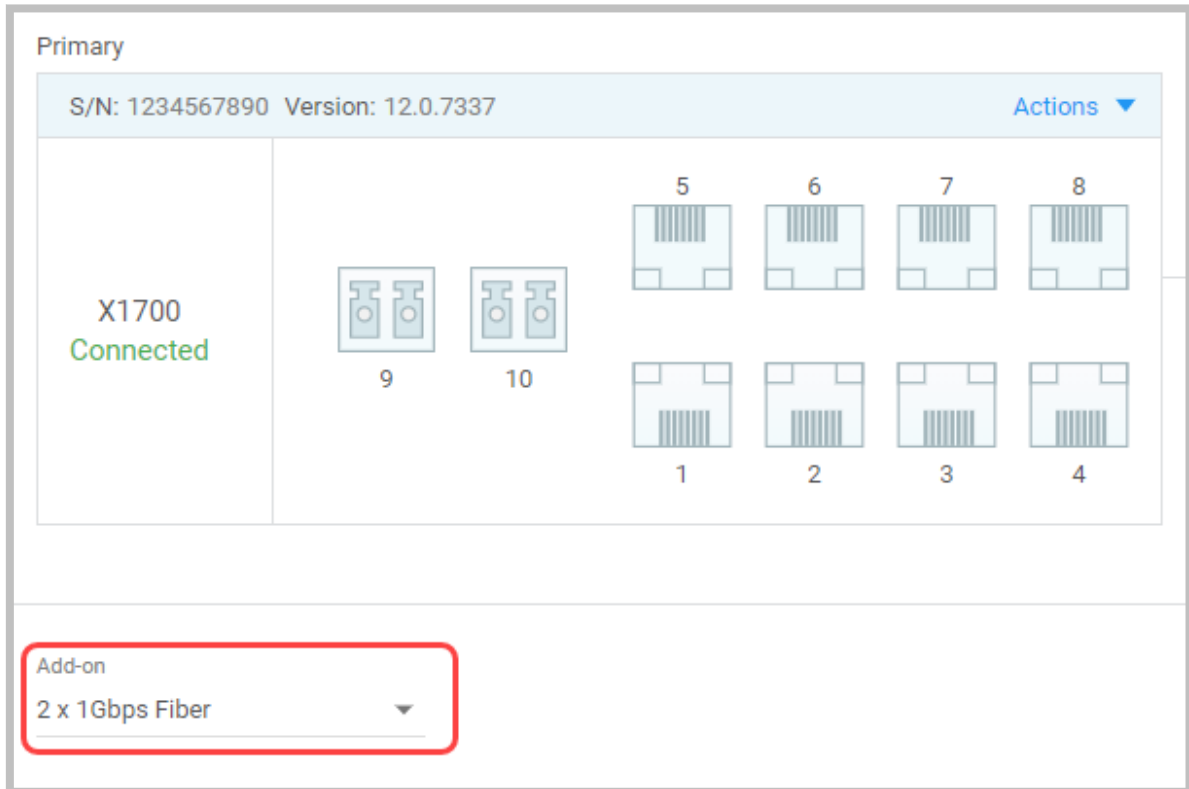
3. Loosen the thumb screws on the cover plate and remove it.
4. Carefully insert the network card add-on in the expansion slot.
5. Push the add-on to the back of the expansion slot.
6. Tighten the thumb screws on the network card add-on.
7. Reconnect the power cables and turn on the X1700 Socket.

Configuring the Add-on for the X1700 Socket

The default setting for the **Add-on** option is **None**. If the configured add-on in the Cato Management Application and the actual hardware don't match, then the add-on interface is treated as if it was physically disconnected.

To configure the add-on for the X1700 Socket:

1. From the navigation menu, click **Network > Sites** and select the site.
2. From the navigation menu, select **Site Configuration > Socket**.
3. From the **Add-on** drop-down menu, select the add-on for the Socket.



4. Click **Save**.

Working with Your X1700 Socket

Identifying the X1700 Socket Model

At the end of 2022, Cato introduced a second hardware model for the X1700 Socket. The new hardware model is referred to as X1700B and has a different front panel and uses a different firmware image.

You can use the front panel images in the following sections to identify which Socket model you have.

Overview of the X1700 Socket

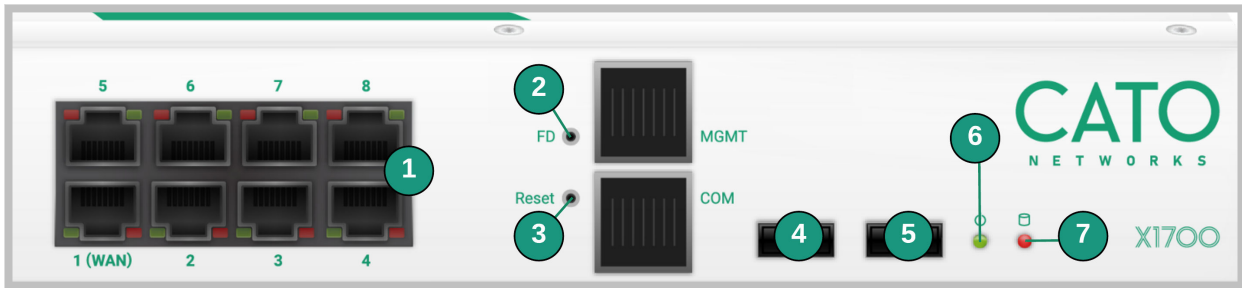
These are the front panel components of the X1700 Socket:



Item	Description
1	Storage drives
2	Expansion slots for network card add-ons: <ul style="list-style-type: none"> • 4 x 1Gbps copper • 2 x 1Gbps fiber • 2 x 10Gbps fiber • 4 x 10Gbps fiber The fiber network add-ons support both SFP and SFP+.
3	8 x 1Gbps
4	Management port - connects to the Socket WebUI

Front Panel LEDs and Reset Buttons

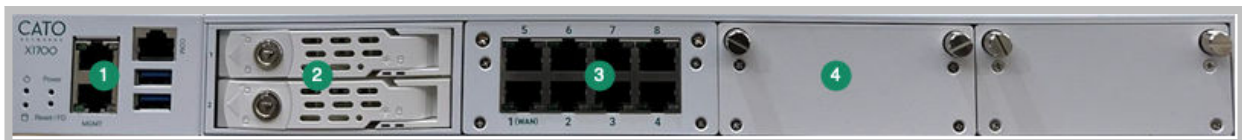
This section explains the LEDs and reset buttons on the front panel of the X1700 Socket.



Item	Description
1	<p>LEDs for network ports</p> <ul style="list-style-type: none"> • Left LED (activity) <ul style="list-style-type: none"> ◦ no color - port link is disconnected ◦ green (steady color) - link has connectivity ◦ green (blinking) - link is active and passing traffic • Right LED (link speed) <ul style="list-style-type: none"> ◦ no color - link speed is 10 Mbit/s ◦ green - link speed is 100 Mbit/s ◦ amber - link speed is 1000 Mbit/s
2	FD button - reserved for future use
3	Reset button - restarts the Socket
4	USB1 port
5	USB2 port - You can use USB 2.0 flash drives to reimage the X1700 Socket with the USB2 port
6	<p>Power LED</p> <ul style="list-style-type: none"> • off - Socket is powered off • on - the Socket is powered on
7	<p>HDD LED</p> <ul style="list-style-type: none"> • off - the HDD for the Socket is currently inactive • on (blinking) - the Socket is accessing data on the HDD

Overview of the X1700B Socket

These are the front panel components of the X1700B Socket:



Item	Description
1	Management and USB ports
2	Storage drives
3	8 x 1Gbps
4	<p>Expansion slots for network card add-ons:</p> <ul style="list-style-type: none"> • 4 x 1Gbps copper • 2 x 1Gbps fiber • 2 x 10Gbps fiber • 4 x 10Gbps fiber <p>The fiber network add-ons support both SFP and SFP+.</p>

Front Panel LEDs and Reset Buttons (X1700B)

This section explains the LEDs and reset buttons on the front panel of the X1700B Socket.



Item	Description
1	Power LED <ul style="list-style-type: none"> off - the Socket is powered off on - the Socket is powered on
2	HDD LED <ul style="list-style-type: none"> off - the HDD for the Socket is currently inactive on (blinking) - the Socket is accessing data on the HDD
3	Power button - Powers on & off the Socket
4	Reset button - resets the Socket <ul style="list-style-type: none"> Reset Socket WebUI password to admin - press for 5 - 15 seconds Reset Socket, delete all configuration files, and unassign from the site - press for 25 - 35 seconds
5	MGMT port - connects to the Socket WebUI <p>Note: Only the lower port is the MGMT port</p>
6	COM and USB ports <ul style="list-style-type: none"> COM port - console port (used by Support to troubleshoot Socket) USB ports - you can use USB 2.0 or 1.0 flash drives to reimage the X1700B Socket
7	LEDs for network ports <ul style="list-style-type: none"> Left LED (activity) <ul style="list-style-type: none"> no color - port link is disconnected green (steady color) - link has connectivity green (blinking) - link is active and passing traffic Right LED (link speed) <ul style="list-style-type: none"> no color - link speed is 10 Mbit/s green - link speed is 100 Mbit/s amber - link speed is 1000 Mbit/s

Connecting a Cellular Modem

You can connect a socket to a cellular modem for Internet connectivity. Make sure to use your cellular modem manual as a reference guide.

1. Install the SIM card according to the manufacturers instructions.



2. Connect the cellular modem to a power supply and verify that the cellular signal strength LEDs indicate network connectivity.
3. Using a network cable, connect your PC to the cellular modem LAN port.
4. On your PC, open a command prompt and run the following command:

```
ping google.com
```

- If the ping is successful (see the following example), you are connected to the Internet.

```
Pinging google.com [172.217.22.78] with 32 bytes of data:  
Reply from 172.217.22.78: bytes=32 time=81ms TTL=90  
Reply from 172.217.22.78: bytes=32 time=79ms TTL=90  
Reply from 172.217.22.78: bytes=32 time=79ms TTL=90  
Reply from 172.217.22.78: bytes=32 time=87ms TTL=90  
Ping statistics for 172.217.22.78:  
Packets: Sent = 4, Received = 4, Lost = 0 (0% loss),  
Approximate round trip times in milli-seconds:  
Minimum = 79ms, Maximum = 87ms, Average = 81ms
```

- If the ping fails (see the following example), contact your cellular modem vendor/distributor for support.

```
Ping request could not find host google.com....
```

5. If the ping was successful, using a network cable, connect the Cato Socket to the cellular modem LAN port.
6. Configure and monitor the connection as required using the Cato Management Application.

Assigning a Static IP to the WAN (Optional)

If required by your Internet Service Provider, you can set a static IP for the WAN interface.

To set a static IP for the WAN interface:

- In your browser, type the URL `https://[your Cato Socket's IP address]`. For example:
`https://10.0.0.15`
If this is a new socket that has never been connected, connect your computer to the MGMT port, then in your browser type the following URL: `https://169.254.100.1`
- Enter your login credentials.
 - If this is the first time that you are logging in to the window, use the following credentials:
username = admin
password = admin
You will then need to change these credentials to your own.
 - After six consecutive failed login attempts, you will be locked out of your account for at least 30 minutes.
- In the Cato Socket Configuration window, click **Network Settings** and click **Static Address**.
- In **IP Address**, enter the static IP address. If required, modify any other static address parameters.
- Click **Update**.

Connecting the Socket through PPPoE (Optional)

If required by your Internet Service Provider, you can define a PPPoE connection for the WAN interface.

To define a PPPoE connection for the WAN interface:

- In your browser, type the URL `https://[your Cato Socket's IP address]`. For example:
`https://10.0.0.15`
If this is a new Socket that has never been connected, connect your computer to the MGMT port, then in your browser type the following URL: `https://169.254.100.1`
- Enter your login credentials.
 - If this is the first time that you are logging in to the window, use the following credentials:
username = admin
password = admin
You will then need to change these credentials to your own.
 - After six consecutive failed login attempts, you will be locked out of your account for at least 30 minutes.
- In the Cato Socket Configuration window, click **Network Settings** and click **PPPoE**.
- In the **PPP account (user) name**, **PPP account secret (password)** and **Confirm password** fields, enter the information provided by your ISP. If required, modify any other PPPoE fields as instructed by your ISP.
- Click **Update**.

X1700 Socket Electrical Specifications

These are the power consumption details and electrical specifications for the X1700 and X1700B Socket models.

Socket BTU/HR Details

Socket Model	Idle	Full Loading
X1700	74	428
X1700B	105	263

Full Output Power

The Socket shall supply the full output power, as long the power supply module is operating within specifications. The table below shows the rated output power for each input voltage range:

Parameter	Minimum Input	Rated Input	Maximum Input	VAC Recover	VAC Low Limit
115 VAC	90Vms	100-127Vms	132Vms	85VAC +/- 5VAC	75VAC +/- 5VAC
230 VAC	180Vms	200-240Vms	264Vms		
Frequency	47Hz	50/60 Hz	63 Hz		

Input Current

The maximum input current defines the maximum possible output current, to ensure the proper function of the Socket to meet all defined specifications. The following table shows the maximum input current:

Input Voltage	Input Current	Inrush Current	Max Power	Peak Power
90-132VAC	5A*	40A*	300W	400W
180-264VAC	3A*	60A*	300W	400W

Line Fuse

The power supply module inserted to the Socket shall incorporate one input fuse on the line side for input overcurrent protection to prevent damage to the power supply and Socket, to meet product safety requirements.

Fuses should be slow blow type or equivalent to prevent nuisance trips. AC inrush current shall not cause the AC line fuse to blow under any conditions. All protection circuits in the power supply shall not cause the AC fuse to blow unless a component in the power supply has failed. This includes DC output load short conditions.

Additional Resources

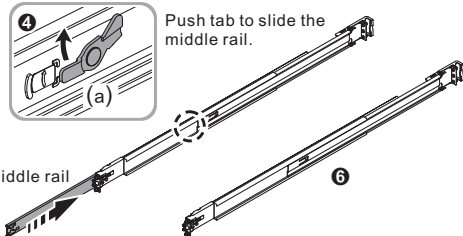
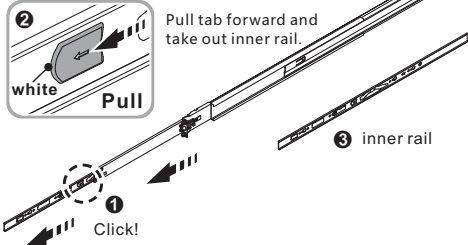
- Online documentation is available in the [Cato Networks Knowledge Base](#)
- Learn more about Cato Support at: <https://www.catonetworks.com/support/>

Socket X1700 Rack-Mounting Kit Assembly Guide

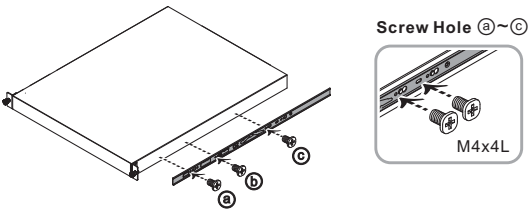
King Slide® — AA612 Instruction

1-1) Remove the inner rail.

1-2) Push (a) and slide middle rail back.



2) Install the inner rail onto the chassis.



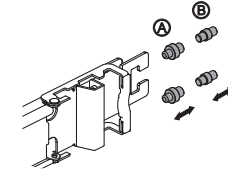
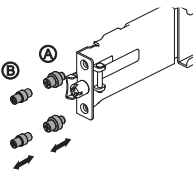
3) Check hole type on rack post. Choose suitable pin of bracket to install if needed.

A 9.5 Square Hole (Pre-installed)

B 7.1 Round Hole

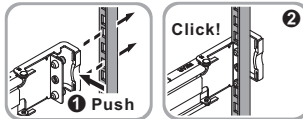
Front bracket

Rear Bracket

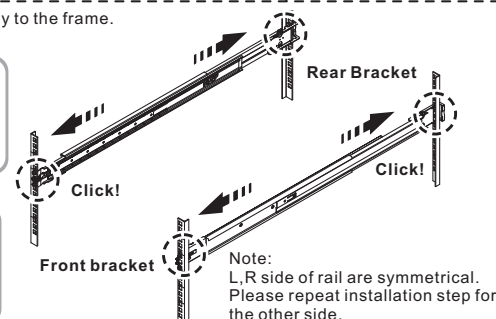
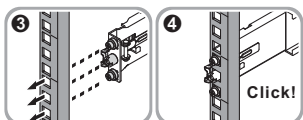


4) Fix the outer rail/bracket assembly to the frame.

Rear Bracket



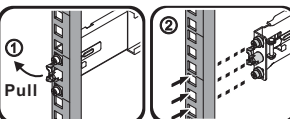
Front bracket



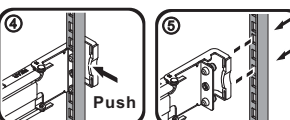
Note:
L,R side of rail are symmetrical.
Please repeat installation step for the other side.

Detach Bracket from Rack Post

Front bracket



Rear Bracket



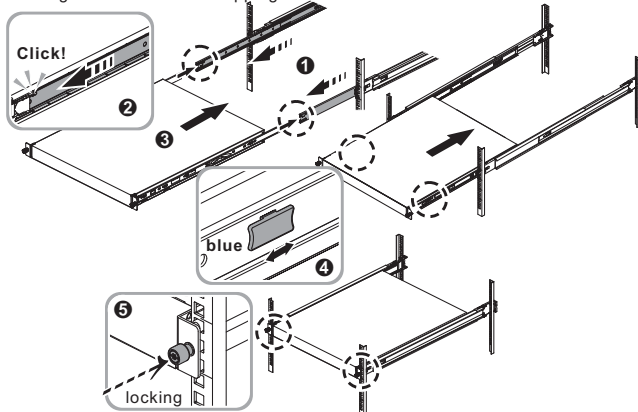
5) Insert the chassis to complete the installation.

1 2 Pull the middle rail fully extended in lock position, ensure ball bearing retainer is located at the front of the middle rail.

3 Insert the chassis into middle-outer rails.

4 When hit a stop, please pull/push the blue release tab on the inner rails.

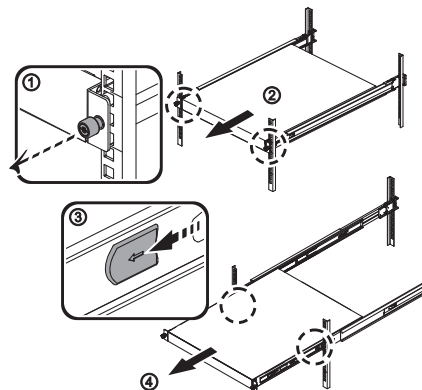
5 Tighten chassis with shipping screws.



Remove the chassis from rack.

1 2 Loosen shipping screw to pull out chassis.

3 4 Press the disconnect tab forward to remove chassis.

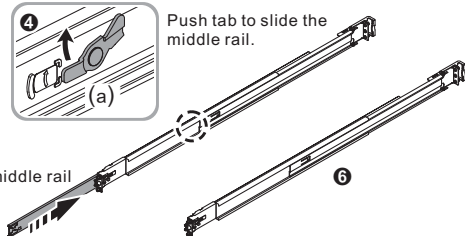
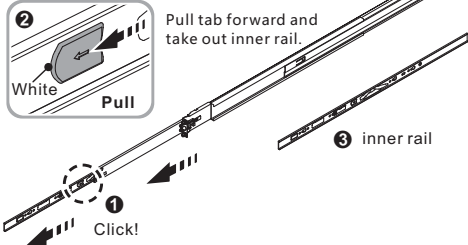


Socket X1700B Rack-Mounting Kit Assembly Guide

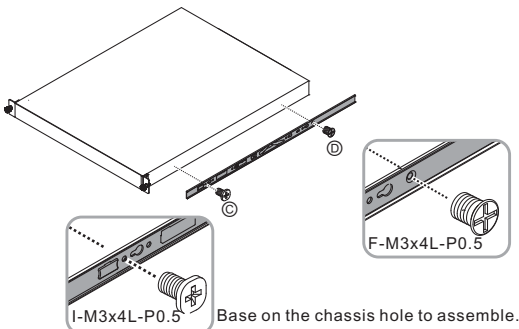
King Slide® — AA612 Instruction

1-1) Remove the inner rail.

1-2) Push (a) and slide middle rail back.

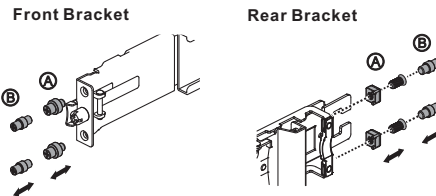


2) Install the inner rail onto the chassis.

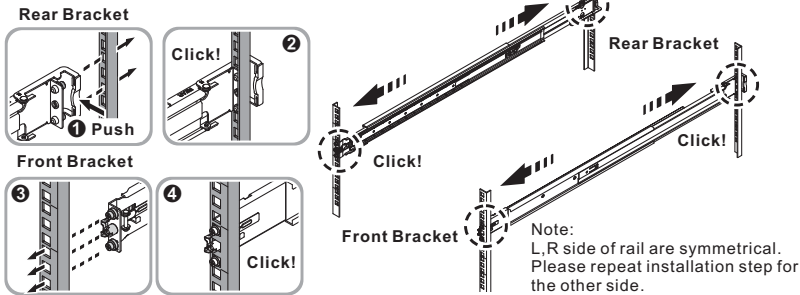


3) Check hole type on rack post. Choose suitable pin of bracket to install if needed.

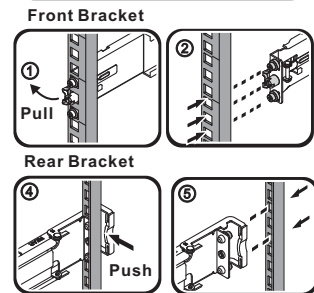
- A 9.5 Square Hole (Pre-installed)
- B 7.1 Round Hole



4) Fix the outer rail/bracket assembly to the frame.

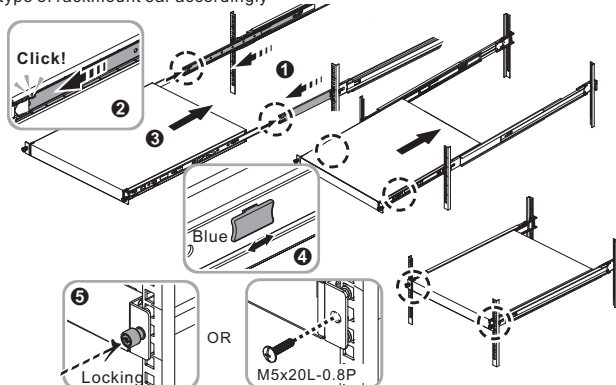


Detach Bracket From Rack Post



5) Insert the chassis to complete the installation.

- 1 2 Pull the middle rail fully extended in lock position, ensure ball bearing retainer is located at the front of the middle rail.
- 3 Insert the chassis into middle-outer rails.
- 4 When hit a stop, please pull/push the blue release tab on the inner rails.
- 5 Using rackmount ear to screw on the chassis. The screw type chosen by the type of rackmount ear accordingly



Remove the chassis from rack.

- 1 2 Loosen shipping screw to pull out chassis.
- 3 4 Press the disconnect tab forward to remove chassis.

